

# 5MP HD IR VF Dome Network Camera

IPC3535SR3-ADZK-G



## Key Features



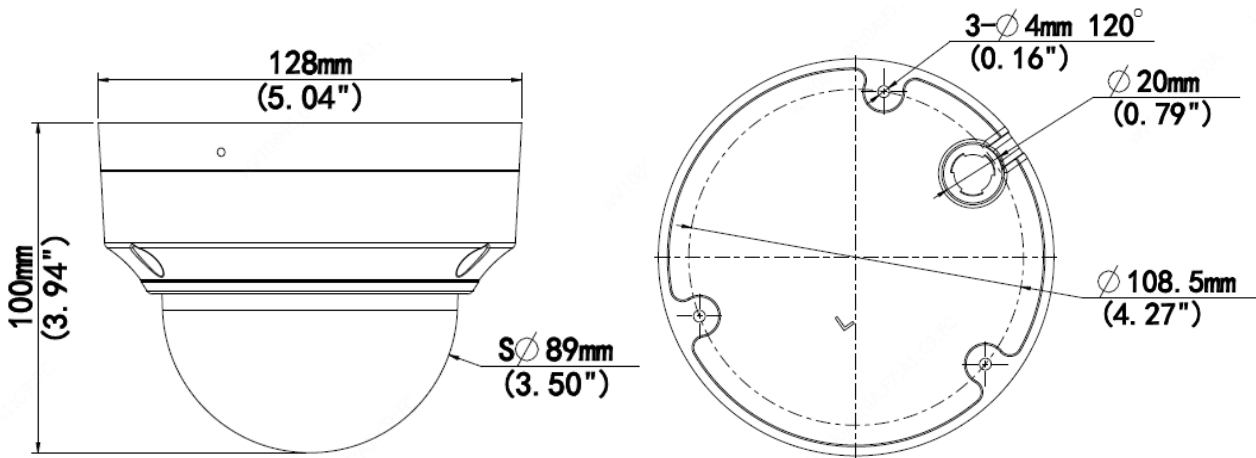
- High quality image with 5MP, 1/2.7"CMOS sensor
- 5MP (2880\*1620)@ 25/20fps; 4MP (2560\*1440)@ 25/20fps; 3MP (2304\*1296)@ 30/25fps;2MP (1920\*1080)@30/25fps
- Ultra 265, H.265, H.264, MJPEG
- 120dB true WDR technology enables clear image in strong light scene
- Support 9:16 Corridor Mode
- Built-in Mic
- Smart IR, up to 40m (131ft) IR distance
- Supports 256 G Micro SD card
- IK10 vandal resistant
- IP67 protection
- Support PoE power supply
- 3-Axis

## Specifications

|                         |   |            |                |               |                   |
|-------------------------|---|------------|----------------|---------------|-------------------|
|                         | IPC3535SR3-ADZK-G   |            |                |               |                   |
| Camera                  |   |            |                |               |                   |
| Sensor                  | 1/2.7", 5.0 megapixel, progressive scan, CMOS   |            |                |               |                   |
| Lens                    | 2.8 ~ 12mm, AF automatic focusing and motorized zoom lens   |            |                |               |                   |
| DORI Distance           | Lens (mm)   | Detect (m) | Observe (m)    | Recognize (m) | Identify (m)      |
|                         | 2.8   | 63.0       | 25.2           | 12.6          | 6.3               |
|                         | 12  | 270.0      | 108.0          | 54.0          | 27.0              |
| Angle of View (H)       | 108.79° ~ 33.23°  |            |                |               |                   |
| Angle of View (V)       | 56.90° ~ 18.33°   |            |                |               |                   |
| Angle of View (O)       | 112.56° ~ 37.46°  |            |                |               |                   |
| Adjustment angle        | Pan: 3° ~ 360°  |            | Tilt: 0° ~ 70° |               | Rotate: 3° ~ 360° |
| Shutter                 | Auto/Manual, 1 ~ 1/100000s  |            |                |               |                   |
| Minimum Illumination    | Colour: 0.003Lux (F1.6, AGC ON)<br>0Lux with IR   |            |                |               |                   |
| Day/Night               | IR-cut filter with auto switch (ICR)  |            |                |               |                   |
| Digital Noise Reduction | 2D/3D DNR   |            |                |               |                   |
| S/N                     | >56dB   |            |                |               |                   |
| IR Range                | Up to 40m (131ft) IR range  |            |                |               |                   |
| Wavelength              | 850nm   |            |                |               |                   |
| IR On/Off Control       | Auto/Manual   |            |                |               |                   |
| Defog                   | Digital Defog   |            |                |               |                   |
| WDR                     | 120dB   |            |                |               |                   |
| Video                   |   |            |                |               |                   |
| Video Compression       | Ultra 265, H.265, H.264, MJPEG  |            |                |               |                   |
| H.264 code profile      | Baseline profile, Main profile, High profile  |            |                |               |                   |
| Frame Rate              | Main Stream: 5MP (2880*1620), Max 25fps; 4MP (2560*1440), Max 25fps; 3MP (2304*1296), Max 30fps; 1080P (1920*1080), Max 30fps;<br>Sub Stream: 720P (1280*720), Max 30fps; D1 (720*576), Max 30fps; 640*360, Max 30fps; 2CIF(704*288), Max 30fps; CIF(352*288), Max 30fps; |            |                |               |                   |
| Video Bit Rate          | 128 Kbps~16 Mbps  |            |                |               |                   |
| 9:16 Corridor Mode      | Supported   |            |                |               |                   |
| OSD                     | Up to 4 OSDs  |            |                |               |                   |
| Privacy Mask            | Up to 4 areas   |            |                |               |                   |
| ROI                     | Up to 8 areas   |            |                |               |                   |
| Motion Detection        | Up to 4 areas   |            |                |               |                   |
| Image                   |   |            |                |               |                   |
| White Balance           | Auto/Outdoor/Fine Tune/Sodium Lamp/Locked/Auto2   |            |                |               |                   |
| Digital Noise Reduction | 2D/3D DNR   |            |                |               |                   |
| Smart IR                | Supported   |            |                |               |                   |
| Flip                    | Normal/Vertical/Horizontal/180°/90°Clockwise/90°Anti-clockwise  |            |                |               |                   |
| Dewarping               | N/A   |            |                |               |                   |
| HLC                     | Supported   |            |                |               |                   |

|                        |  |
|------------------------|--|
| BLC                    | Supported  |
| <b>Audio</b>           |  |
| Audio Compression      | G.711  |
| Suppression            | Supported  |
| Sampling Rate          | 8KHZ   |
| <b>Storage</b>         |  |
| Edge Storage           | Micro SD, up to 256GB  |
| Network Storage        | ANR, NAS(NFS)  |
| <b>Smart</b>           |  |
| Behavior Detection     | (Cross line, intrusion)based on human body detection, motion detection, tampering alarm, audio detection                     |
| General Function       | Watermark, IP address filtering, access policy, ARP protection, RTSP authentication, user authentication                     |
| <b>Network</b>         |  |
| Protocols              | IPv4, IGMP, ICMP, ARP, TCP, UDP, DHCP, RTP, RTSP, RTCP, DNS, DDNS, NTP, FTP, UPnP, HTTP, HTTPS, SMTP, SSL, QoS, 802.1x, SNMP |
| Compatible Integration | ONVIF (Profile S, Profile G, Profile T), API   |
| Client                 | EZStation<br>EZView<br>EZLive  |
| Web Browser            | Plug-in required live view: IE9+, Chrome 41 and below, Firefox 52 and below  |
|                        | Plug-in free live view: Chrome 57.0+, Firefox 58.0+, Edge 16+  |
| <b>Interface</b>       |  |
| Network                | 10M/100M Base-TX Ethernet  |
| Built-in Mic           | Supported  |
| <b>Certifications</b>  |  |
| Certifications         | UL: UL60950-1<br>FCC: FCC Part 15  |
| <b>General</b>         |  |
| Power                  | DC 12V±25%, PoE (IEEE 802.3af)   |
|                        | Power consumption: Max 7.5W  |
| Dimensions (Ø x H)     | Ø128mmx100mm (Ø5.0" x 3.9")  |
| Net Weight             | 0.65kg (1.43lb)  |
| Material               | Metal + Plastic  |
| Working Environment    | -30°C ~ 60°C (-22°F ~ 140°F), Humidity: ≤95% RH (non-condensing)   |
| Storage Environment    | -30°C ~ 60°C (-22°F ~ 140°F), Humidity: ≤95% RH (non-condensing)   |
| Surge Protection       | 6KV  |
| Ingress Protection     | IP67   |
| Vandal Resistant       | IK10   |
| Reset Button           | Supported  |

## Dimensions

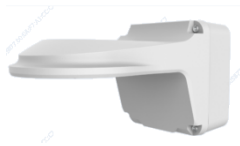


## Accessories

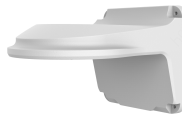
TR-JB03-H-IN



TR-JB07/WM03-F-IN



TR-WM03-B-IN



TR-UP06-IN



TR-A01-IN



TR-SE24-IN



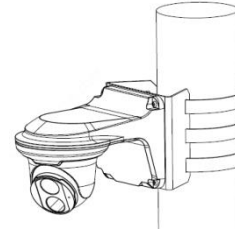
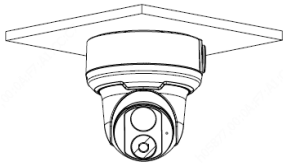
TR-SE24-A-IN



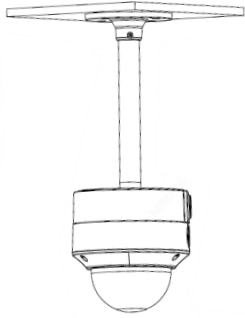
TR-CM24-IN



| Junction Mount | Pole Mount                                 |
|----------------|--|
| TR-JB03-H-IN   | TR-JB07/WM03-F-IN(TR-WM03-B-IN)+TR-UP06-IN |



TR-CM24-IN+TR-JB03-H-IN



**Zhejiang Uniview Technologies Co., Ltd.**

Building No.10, Wanlun Science Park, Jiangling Road 88, Binjiang District, Hangzhou, Zhejiang, China (310051)

Email: [overseasbusiness@uniview.com](mailto:overseasbusiness@uniview.com); [globalsupport@uniview.com](mailto:globalsupport@uniview.com)

<http://www.uniview.com>

©2020 Zhejiang Uniview Technologies Co., Ltd. All rights reserved.

\*Product specifications and availability are subject to change without notice.